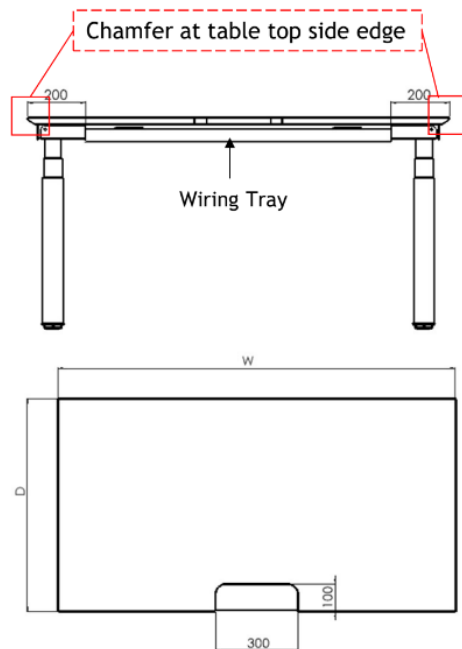


JIGEN 2

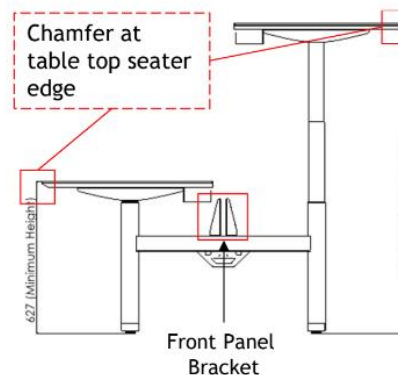
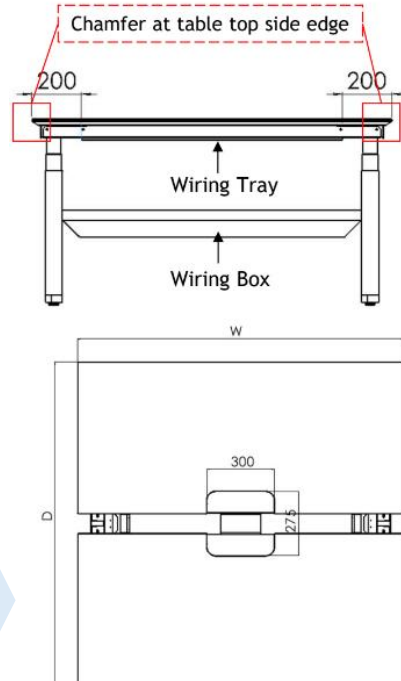
HEIGHT ADJUSTABLE TABLE

JIGEN TABLE SYSTEM – 1 SIDE

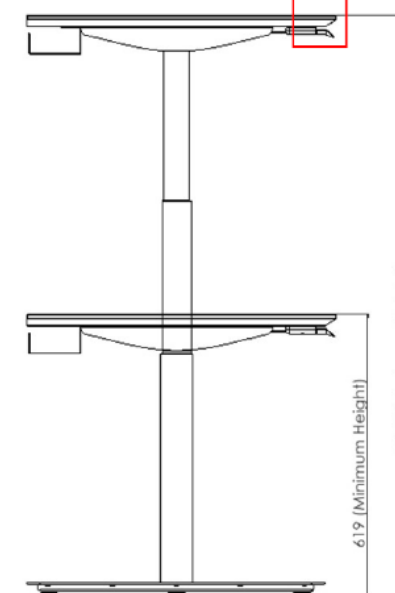


- Length W1200-W1800
- Depth D700-D800
- Max height 1269mm
- Min height 619mm
- Length W1200-W1800
- Depth D1400-D1600
- Max height 1277mm
- Min height 627mm

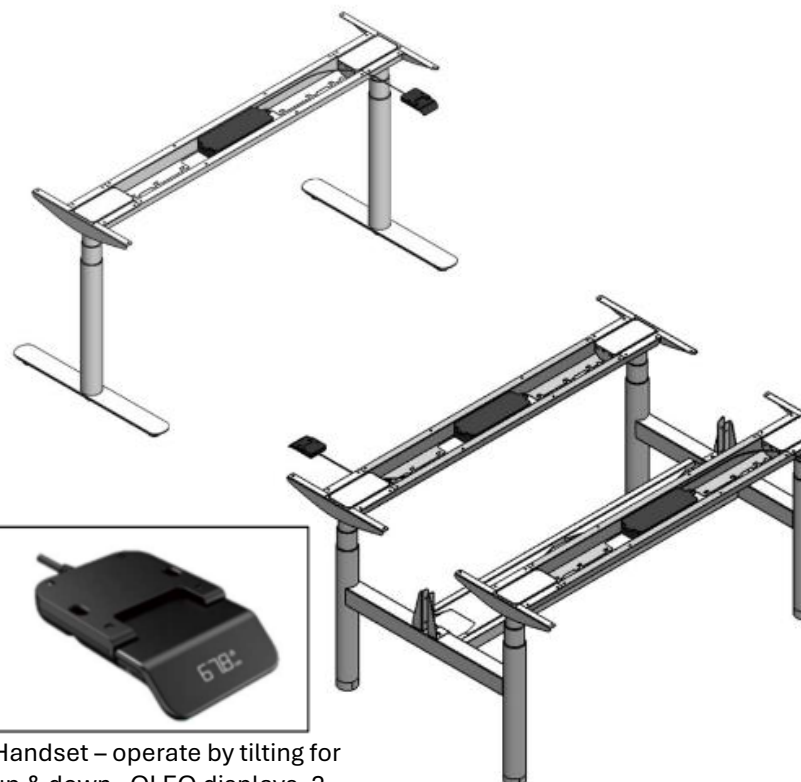
JIGEN TABLE SYSTEM – 1 SIDE



Chamfer at table top seater edge

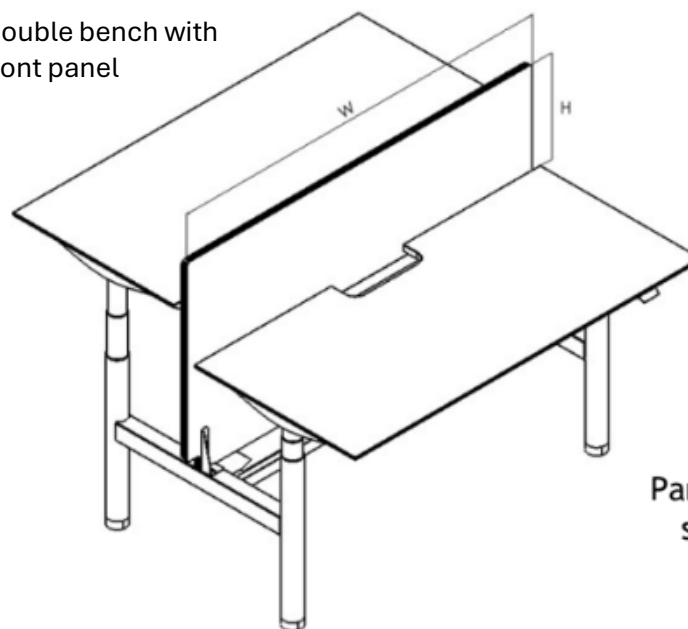


JIGEN 2 Electric Leg Specification

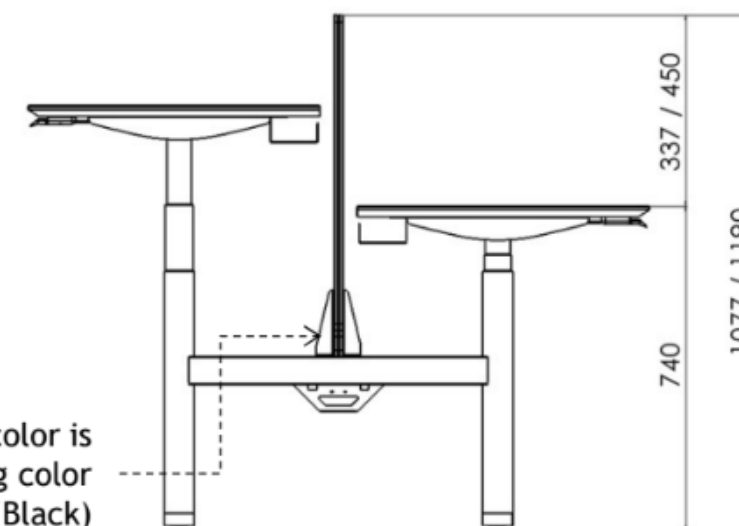


Handset – operate by tilting for up & down. OLEO displays, 2 memory locations, child lock. Low power consumption.

Double bench with front panel



Front Panel height 337/450mm at table height 7450mm



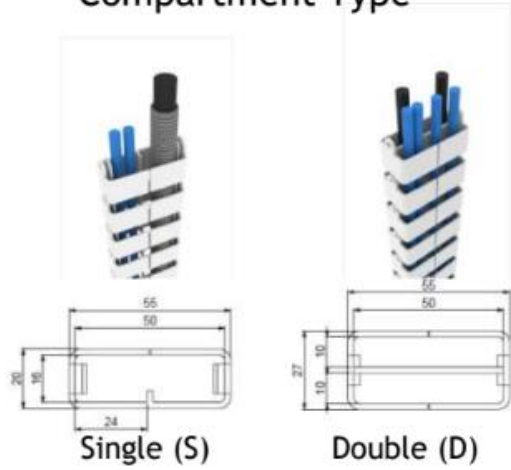
Panel bracket color is same with leg color (White/Black)

JIGEN 2

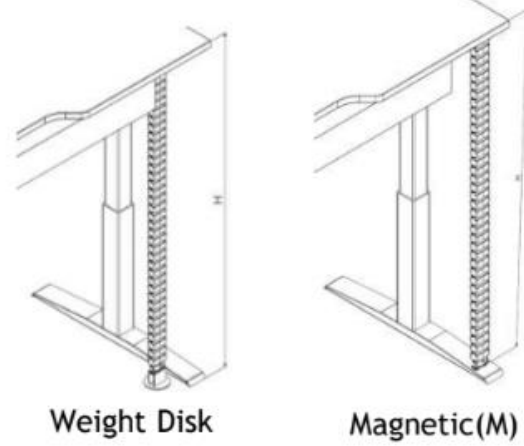
HEIGHT ADJUSTABLE TABLE

JIGEN TRAX WIRE CASING

Compartment Type



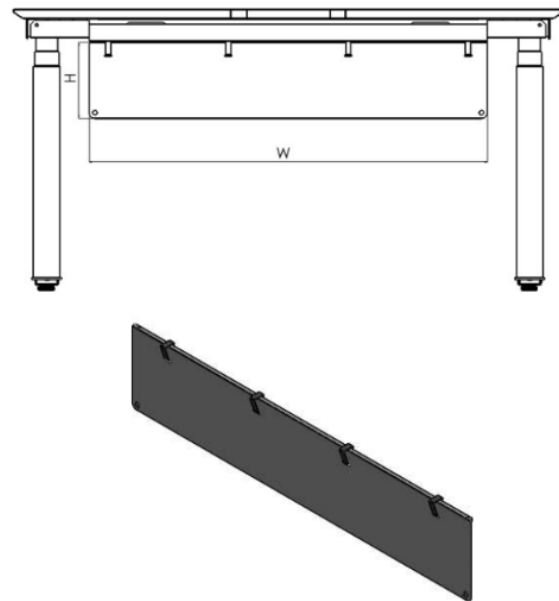
Mounting Type



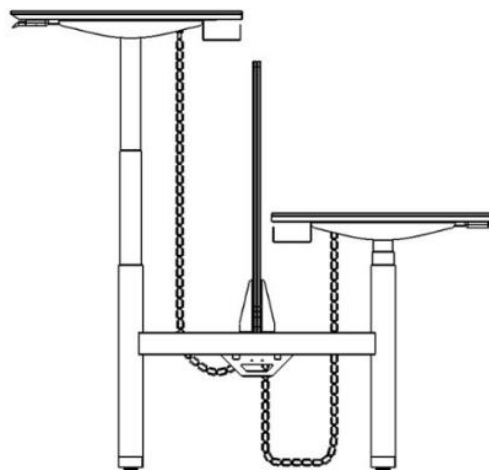
Color



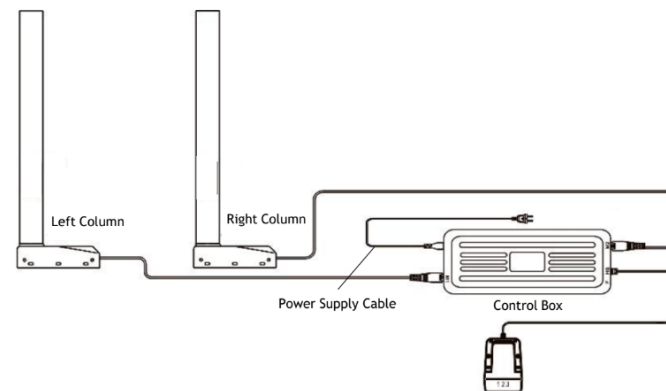
Modesty Panel



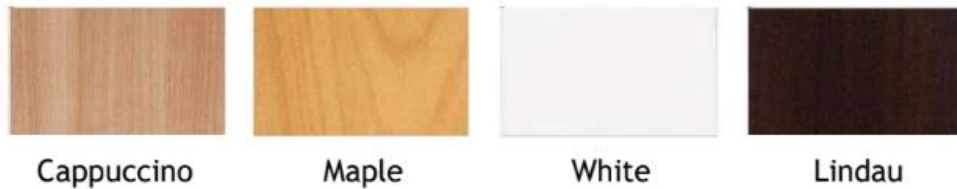
HANGING ARRANGEMENT



Leg Column and Handset to control box



TOP BOARD OPTION



LEG (FRAME) COLOR OPTION



FABRIC COLOR OPTION

