



AIRFORT2

Address:

No. 7 West BeiJing RD. (near Middle Xizang RD.), Huangpu District, Shanghai, China

Phone:

+86(0)2161413005

KOKUYO



Continuing the classic design of AIRFORT, the new model features upgraded lumbar support, a sitting aid cushion and an adjustable headrest. With a colorful one-piece design, the chair injects a vibrant touch, moving away from the dull office aesthetic. Embracing the concept of sustainable development, the chair allows for flexible part replacement, ensuring long-lasting durability.

AIRFORT 2



Re-create & Long life

Flexible and long-lasting sustainable design with replacement parts, with the goal of creating comfortable and durable products that reduce carbon emissions and achieve sustainable development.



1 AIR-LUMBAR SUPPORT TECHNOLOGY

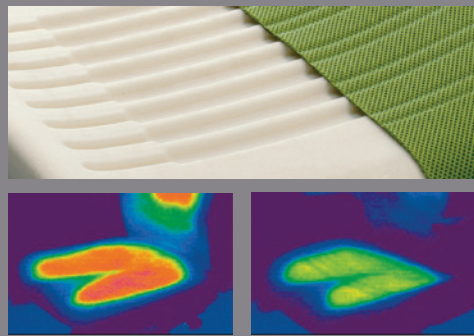


Moderate Spine Shape

Pronounced Spinal Curve

A key component of the chair's functionality is its concealed, adjustable lumbar-support air bag. It allows the seat back shape to be customized to suit the user's spine. Those with more pronounced spinal curvature can inflate the air bag to increase lumbar support. The customized support helps alleviate fatigue from prolonged period of sitting.

2 DIMENSIONAL SEAT MESH CUSHION



The seat cushion features grooves covered in dimensional mesh, which helps to dissipate body heat from the seat cushion to maximize user comfort.

3 AUTO RECLINE MECHANISM

The auto-adjusting rocking mechanism allows users to recline gently while maintaining full comfort and support.



As Versatile as Air itself.

AIRFORT's innovative, high-quality design and stylish aluminum components ensure the chair fits for any office environment.



Lumbar Support

The position and amount of air in the lumbar support can be adjusted to suit the user's individual preferences. (Range : 100mm, Up and Down)



Headrest

The headrest can be adapted to adjust the height and angle according to the user's body type. (Range: 50mm, Up and Down Angle: 40°)



Auto Adjust Mechanism

The function utilizes the "Principle of Leverage", allowing the seat and backrest to synchronize without using any levers. (4 fixed angles, Max locking angle: 125°)



Seat Height Adjustment

The height can be easily adjusted with a simple one-touch operation. (Range: 120mm)



Seat Depth Adjustment

The seat cushion depth is adjustable to accommodate the user's personal preferences. (Range: 50mm)



Height Adjustable Armrest

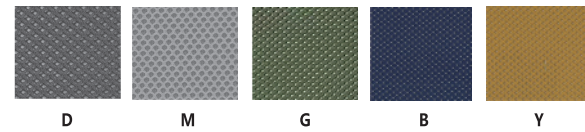
The height of the armrests can be adjusted to suit the desk height and provide better support for the user's elbows. (Range: 80mm)

UPHOLSTERY OPTIONS

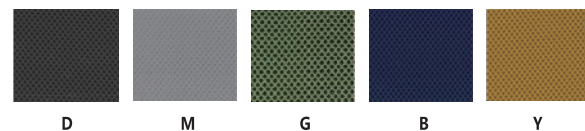


UPHOLSTERY OPTIONS

Backrest options:



Seat Cushion options:



All colors shown may vary from the actual product color.
All specifications are subject to change without prior notice.

Product quality, environmental certifications and awards



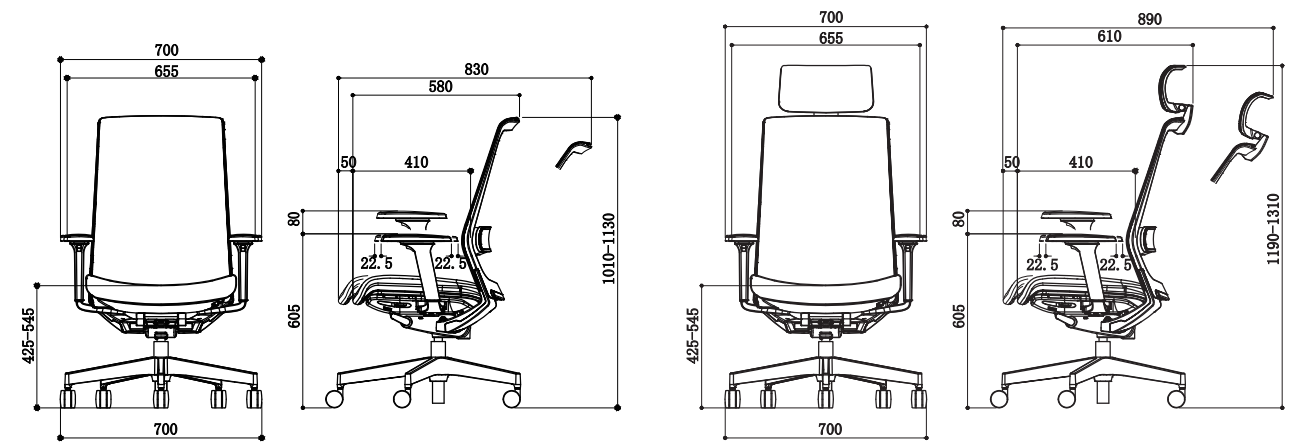
Greenguard
Certify



Business + Institutional
Furniture Manufacturers
Association Standards

DIMENSIONS

All dimensions are in millimeters (mm).



With armrest

With headrest and armrest

BASE OPTIONS



Polished Aluminum



Nylon

CASTOR OPTIONS



Hard castor



Soft castor

HEADREST OPTIONS



Without headrest



With headrest

ARMREST OPTIONS



Height-adjustable
armrest



3D armrest